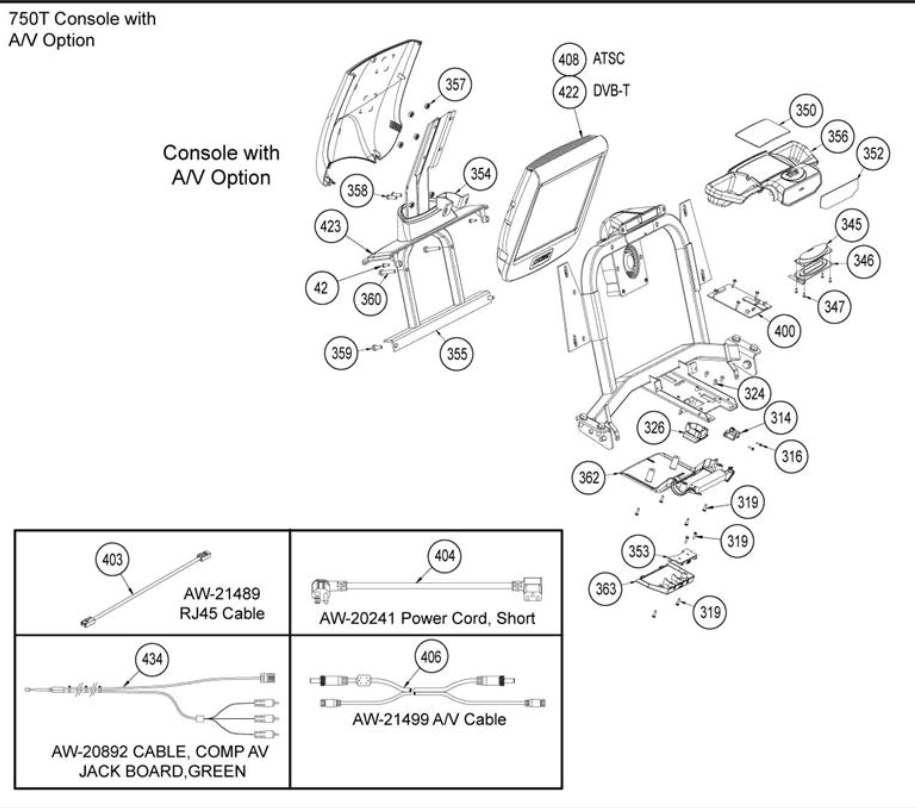




Product Line:   
 Product:   
 Assembly:  [\(Show All\)](#)



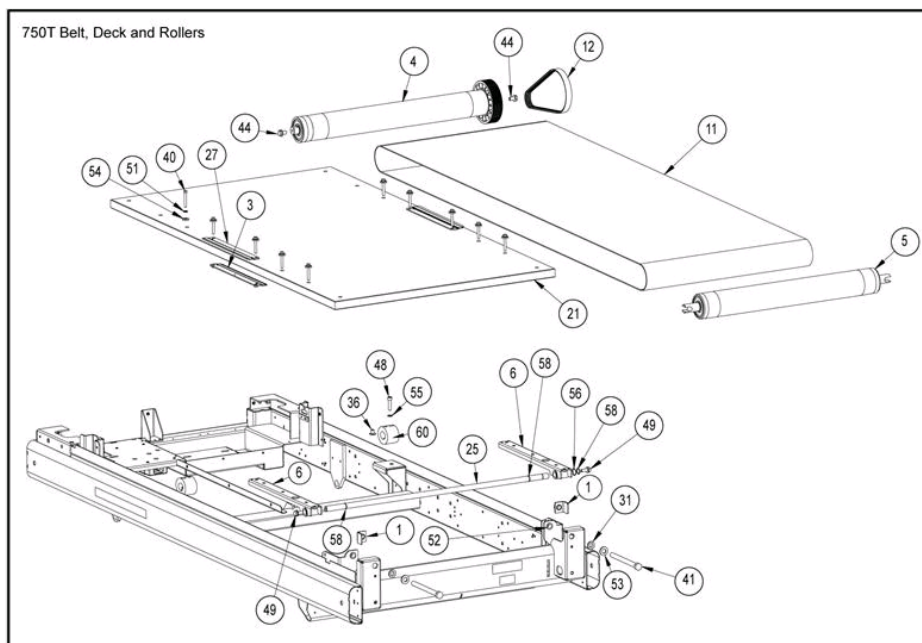
Bulb Number	Part Number	Name	Description
42	HS-15706	SCREW,8-16X.50,PNHD	
301	KAX-21473-1	PCA, 751T, DISPLAY BOARD, AMBER LED	GERMAN
301	KAX-21473-2	PCA, 751T, DISPLAY BOARD, AMBER LED	FRENCH
301	KAX-21473-3	PCA, 751T, DISPLAY BOARD, AMBER LED	SPANISH
301	KAX-21473-4	PCA, 751T, DISPLAY BOARD, AMBER LED	ENGLISH
301	KAX-21473-6	PCA, 751T, DISPLAY BOARD, AMBER LED	JAPANESE
301	KAX-21473-7	PCA, 751T, DISPLAY BOARD, AMBER LED	SWEDISH
301	KAX-21473-8	PCA, 751T, DISPLAY BOARD, AMBER LED	RUSSIAN
314	EC-19974	SENSOR, IR MOTION	
316	HS-10716	SCREW, 4-40 X 0.38", PNHD, PHIL	
319	HS-18320	SCREW, 6-19 X 1-2", PNHD, PHIL	
324	HS-41187	SCREW, SLFTP, 8-16 X .3125", PLASTITE	
326	PL-20143	HOUSING, E-STOP	
345	PL-20549-1	BUTTON, STOP, MOLDED	GERMAN
345	PL-20549-2	BUTTON, STOP, MOLDED	FRENCH
345	PL-20549-3	BUTTON, STOP, MOLDED	SPANISH
345	PL-20549-4	BUTTON, STOP, MOLDED	ENGLISH
345	PL-20549-6	BUTTON, STOP, MOLDED	JAPANESE
345	PL-20549-7	BUTTON, STOP, MOLDED	SWEDISH
345	PL-20549-8	BUTTON, STOP, MOLDED	RUSSIAN
346	AX-20513	SWITCH, BUTTON, STOP	
347	HS-20553	SCREW, 4 X 3/8", SLFTP, PNHD, PHIL, ZN, PLASTITE	
350	DE-20735-1	LABEL, WARNING, CONSOLE	GERMAN
350	DE-20735-2	LABEL, WARNING, CONSOLE	FRENCH
350	DE-20735-3	LABEL, WARNING, CONSOLE	SPANISH
350	DE-20735-4	LABEL, WARNING, CONSOLE	ENGLISH
350	DE-20735-6	LABEL, WARNING, CONSOLE	JAPANESE
350	DE-20735-7	LABEL, WARNING, CONSOLE	SWEDISH
350	DE-20735-8	LABEL, WARNING, CONSOLE	RUSSIAN
352	DE-21596	LABEL, AV BLANK, 750T	

352	SW-20813-1	MEMBRANE,AV KEYPAD	GERMAN
352	SW-20813-2	MEMBRANE,AV KEYPAD	FRENCH
352	SW-20813-3	MEMBRANE,AV KEYPAD	SPANISH
352	SW-20813-4	MEMBRANE,AV KEYPAD	ENGLISH
352	SW-20813-6	MEMBRANE,AV KEYPAD	JAPANESE
352	SW-20813-7	MEMBRANE,AV KEYPAD	SWEDISH
352	SW-20813-8	MEMBRANE,AV KEYPAD	RUSSIAN
353	AD-20840	PCA,PEM JACK BOARD	
354	AF-21482	BRACKET,AV,LOWER,750T	
355	AF-21760	WELDMENT,AV,750T	
356	AX-21798-1	ASSY,HANDSET,TOP W-TABS	GERMAN
356	AX-21798-2	ASSY,HANDSET,TOP W-TABS	FRENCH
356	AX-21798-3	ASSY,HANDSET,TOP W-TABS	SPANISH
356	AX-21798-4	ASSY,HANDSET,TOP W-TABS	ENGLISH
356	AX-21798-6	ASSY,HANDSET,TOP W-TABS	JAPANESE
356	AX-21798-7	ASSY,HANDSET,TOP W-TABS	SWEDISH
356	AX-21798-8	ASSY,HANDSET,TOP W-TABS	RUSSIAN
357	HN-21072	PEM MOUNTING NUT	
358	HS-11347	BOLT,1-4-20X0.75,SCHD BTN,BLK	
359	HS-12083	BOLT LCK,1-4-20X.625	
360	HS-13739	BOLT LCK,1-4-20X1.25,G5	
362	PL-21792	COVER,HANDSET BOTTOM	
363	PL-21793	COVER,HANDSET AV MODULE	
400	AD-21736	PCA, HANDSET, UNIVERSAL	
403	AW-21489	CABLE,CAT5E 24" PATCH,BLUE	
404	AW-20241	POWER CORD, IEC NEMA 5-15, SHORT FOR AV	
406	AW-21499	CABLE,LOCKING RF and DC POWER CABLE,2795MM	
408	CP-21072	MONITOR,13.3", ATSC, NTSC, PEM	
422	CP-21073	MONITOR,13.3", DVB-T, SECAM, PAL, PEM	
423	PL-21178	CONSOLE, TOP, AV, 751T	
434	AW-20892	CABLE, COMP AV JACK BOARD,GREEN	
435	AW-20841	CABLE,IPOD	
436	DE-22190	LABEL,NIKE+ IPOD	

©Copyright 1998 - 2009, Cybex International, Inc. All rights reserved.



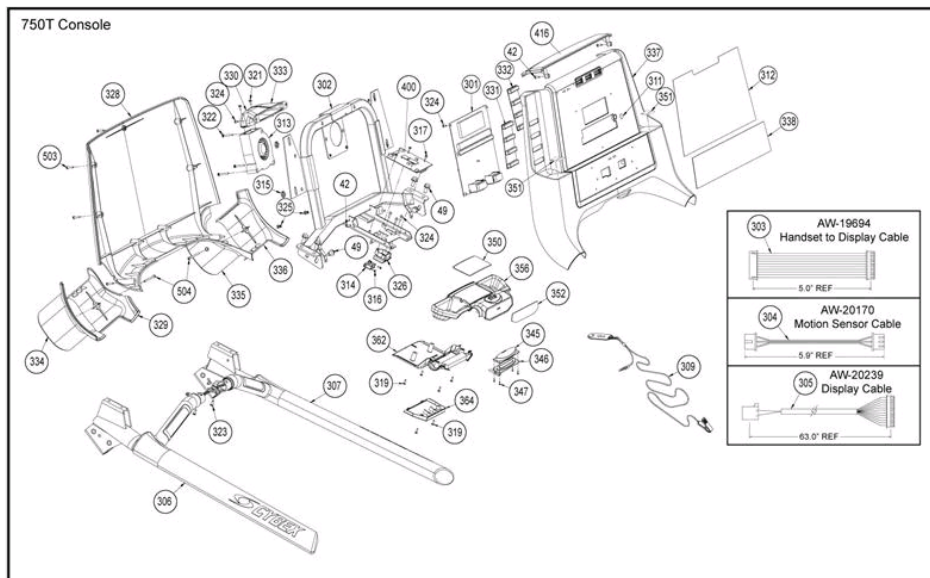
Product Line:   
 Product:   
 Assembly:  [\(Show All\)](#)



Bulb Number	Part Number	Name	Description
1	AF-19988	NUT, ROLLER, REAR	
3	AF-20206	CLAMP, LOWER, TOP STEP	
4	AL-19740	ROLLER ASSY, FRONT	
5	AL-19741	ROLLER ASSY, REAR	
6	AX-20035	Assembly, Deck Pivot Bracket	
11	BD-19889	BELT, RUNNING, 21.88 X 61.75	
12	BD-20049	BELT, DRIVE	
21	DK-20024	DECK, RUNNING, 29.00 X 53.5	
25	FM-20099	MOUNTING SHAFT, ELEVATION MOTOR	
27	FS-20031	PLATE, RETAINER, UPPER, TOP STEP	
31	HB-16367	Bushing, .50ID x .62OD x .31LG, flanged	
36	HN-20041	Nut, 1/4 - 20, Propeller, .305" OD	
40	HS-12295	BOLT, 1/4 - 20 X 1.75", HXHD, G5	
41	HS-15480	Bolt, Tap 1/2-13unc x 6 H x HD GR5	
44	HS-16929	Screw, 3/8 - 16 x 5/8", Lg H x HD Whiz-lock, GR5	
47	HS-17937	Bolt, 3/8 - 24 X 2.75", HXHD CAP, G8, YEL ZN	
48	HS-18358	Bolt, 5/16 - 18 X .1.25", SCHD CAP, BLK ZN	
49	HS-19108	SCREW 5-16-18X3-4LG, HXHD	
51	HW-00180	Washer, Lock Ext., 1/4", Zinc	
52	HW-00590	Bushing Nylon 1/2" NfB10-5-0	
53	HW-10028	Washer, B 1-2 Narrow Zinc	
54	HW-18123	Washer, .344 I.D. x .75 O.D. x .125 Thick, Black Zinc	
55	HW-20044	Washer, Belleville, 15 X 8.2 X 1.0 MM, .5MM Thick	
56	HW-20089	WASHER, WAVE, .650 ID X .855	
58	HX-13771	Ring, Retain 5/8" .579 Fr.Id	
60	HX-19991	Bumper, Deck, 2.10 X 2.34 X 1.55	



Product Line:   
 Product:   
 Assembly:  [\(Show All\)](#)



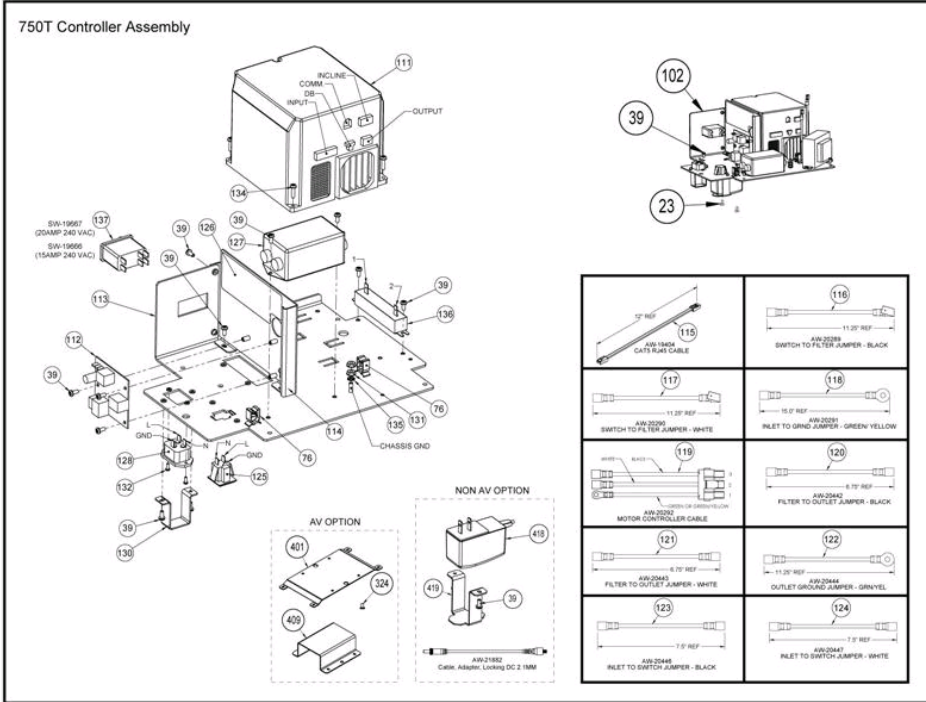
Bulb Number	Part Number	Name	Description
42	HS-15706	SCREW,8-16X.50,PNHD	
49	HS-19108	SCREW 5-16-18X3-4LG,HXHD	
301	KAX-21473-1	PCA, 751T, DISPLAY BOARD, AMBER LED	GERMAN
301	KAX-21473-2	PCA, 751T, DISPLAY BOARD, AMBER LED	FRENCH
301	KAX-21473-3	PCA, 751T, DISPLAY BOARD, AMBER LED	SPANISH
301	KAX-21473-4	PCA, 751T, DISPLAY BOARD, AMBER LED	ENGLISH
301	KAX-21473-6	PCA, 751T, DISPLAY BOARD, AMBER LED	JAPANESE
301	KAX-21473-7	PCA, 751T, DISPLAY BOARD, AMBER LED	SWEDISH
301	KAX-21473-8	PCA, 751T, DISPLAY BOARD, AMBER LED	RUSSIAN
302	AF-21761	WELDMENT, CONSOLE	
303	AW-19694	CABLE, HANDSET TO DISPLAY	
304	AW-20170	CABLE, MOTION SENSOR	
305	AW-20239	CABLE, 750T CONSOLE	
306	AX-19936	ASSY, HANDRAIL, LEFT	
307	AX-19941	ASSY, HANDRAIL, RIGHT	
309	AX-20552	ASSY, E-STOP KEY	
311	DE-20364	DIFFUSER, DISC, 0.6" OD	
312	DE-21184	DECAL, 751T, CONSOLE, TOP, AMBER LED, LANGUAGES	
312	DE-21184-4	DECAL, 751T, CONSOLE, TOP, AMBER LED, ENGLISH	
313	EC-19706	FAN, 12 VDC, 120 X 120MM	
314	EC-19974	SENSOR, IR MOTION	
315	HN-20362	NUT, SELF THREADING, 3/8 X 1 1/16", ST	
316	HS-10716	SCREW, 4-40 X 0.38", PNHD, PHIL	
317	HS-14391	SCREW, 6-32 X .38, PNHD, PHIL	
319	HS-18320	SCREW, 6-19 X 1-2", PNHD, PHIL	
321	HS-20367	SCREW, SEMS, M4 X 10 mm, PNHD, PHIL	
322	HS-20399	SCREW, SEMS, 8-32 X 1.25", PNHD, PHIL	
323	HS-41006	SCREW SLFTP,10-24X.5,PNHD	
324	HS-41187	SCREW, SLFTP, 8-16 X .3125", PLASTITE	
325	HX-20360	INSERT, EXPANSION	
326	PL-20143	HOUSING, E-STOP	
328	PL-20210	CONSOLE, BACK PANEL	
329	PL-20211	CONSOLE, JUNCTION COVER, INNER, LEFT	
330	PL-20218	DUCT, FAN, RIGHT	
331	PL-20274	ISOLATOR, WATER, BOTTLE, LEFT	
332	PL-20275	ISOLATOR, WATER, BOTTLE, RIGHT	
333	PL-20340	DUCT, FAN, LEFT	
334	PL-20355	COVER, JUNCTION, CONSOLE, OUTER, LEFT	
335	PL-20356	COVER, JUNCTION, CONSOLE, INNER, RIGHT	

336	PL-20357	COVER, JUNCTION, CONSOLE, OUTER, RIGHT	
337	PL-20550	CONSOLE, FRONT	
338	SW-21183-1	MEMBRANE, 750T, KEYBOARD	GERMAN
338	SW-21183-2	MEMBRANE, 750T, KEYBOARD	FRENCH
338	SW-21183-3	MEMBRANE, 750T, KEYBOARD	SPANISH
338	SW-21183-4	MEMBRANE, 750T, KEYBOARD	ENGLISH
338	SW-21183-6	MEMBRANE, 750T, KEYBOARD	JAPANESE
338	SW-21183-7	MEMBRANE, 750T, KEYBOARD	SWEDISH
338	SW-21183-8	MEMBRANE, 750T, KEYBOARD	RUSSIAN
345	PL-20549-1	BUTTON, STOP, MOLDED	GERMAN
345	PL-20549-2	BUTTON, STOP, MOLDED	FRENCH
345	PL-20549-3	BUTTON, STOP, MOLDED	SPANISH
345	PL-20549-4	BUTTON, STOP, MOLDED	ENGLISH
345	PL-20549-6	BUTTON, STOP, MOLDED	JAPANESE
345	PL-20549-7	BUTTON, STOP, MOLDED	SWEDISH
345	PL-20549-8	BUTTON, STOP, MOLDED	RUSSIAN
346	AX-20513	SWITCH, BUTTON, STOP	
347	HS-20553	SCREW, 4 X 3/8", SLFTP, PNHD, PHIL, ZN, PLASTITE	
350	DE-20735-1	LABEL, WARNING, CONSOLE	GERMAN
350	DE-20735-2	LABEL, WARNING, CONSOLE	FRENCH
350	DE-20735-3	LABEL, WARNING, CONSOLE	SPANISH
350	DE-20735-4	LABEL, WARNING, CONSOLE	ENGLISH
350	DE-20735-6	LABEL, WARNING, CONSOLE	JAPANESE
350	DE-20735-7	LABEL, WARNING, CONSOLE	SWEDISH
350	DE-20735-8	LABEL, WARNING, CONSOLE	RUSSIAN
351	HX-21246	BOTTLE STABILIZER	
352	DE-21596	LABEL, AV BLANK, 750T	
352	SW-20813-1	MEMBRANE, AV KEYPAD	GERMAN
352	SW-20813-2	MEMBRANE, AV KEYPAD	FRENCH
352	SW-20813-3	MEMBRANE, AV KEYPAD	SPANISH
352	SW-20813-4	MEMBRANE, AV KEYPAD	ENGLISH
352	SW-20813-6	MEMBRANE, AV KEYPAD	JAPANESE
352	SW-20813-7	MEMBRANE, AV KEYPAD	SWEDISH
352	SW-20813-8	MEMBRANE, AV KEYPAD	RUSSIAN
356	AX-20748-1	ASSY, HANDSET, TOP W-TABS	GERMAN
356	AX-20748-2	ASSY, HANDSET, TOP W-TABS	FRENCH
356	AX-20748-3	ASSY, HANDSET, TOP W-TABS	SPANISH
356	AX-20748-4	ASSY, HANDSET, TOP W-TABS	ENGLISH
356	AX-20748-6	ASSY, HANDSET, TOP W-TABS	JAPANESE
356	AX-20748-7	ASSY, HANDSET, TOP W-TABS	SWEDISH
356	AX-20748-8	ASSY, HANDSET, TOP W-TABS	RUSSIAN
362	PL-21792	COVER, HANDSET BOTTOM	
364	PL-21794	COVER, HANDSET NON AV MODULE	
400	AD-21736	PCA, HANDSET, UNIVERSAL	
416	PL-20278	CONSOLE TOP W/O AV	
503	HS-18311	SCREW, 8-16 X .75", PNHD PHIL, STL	
504	HS-20361	SCREW, SLFTP, 8-16 X 2.5", PLASTITE	

©Copyright 1998 - 2009, Cybex International, Inc. All rights reserved.



Product Line:   
 Product:   
 Assembly:  [\(Show All\)](#)



Bulb Number	Part Number	Name	Description
111	AD-20130	PCA, CONTROLLER, 115 VAC	
111	AD-20131	PCA, CONTROLLER, 230 VAC	
112	AD-21879	PCA, HUB BOARD	
113	AF-20123	PLATE, SWITCHES	
401	AF-20137	BRACKET, AV POWER SUPPLY	
114	AF-20234	BRACKET, CONTROLLER, PCB	
115	AW-19404	CABLE, CAT5, RJ45 FLAT PATCH 12	
116	AW-20289	WIRE, INLET TO SWITCH FILTER JUMPER	
117	AW-20290	WIRE, SWITCH TO FILTER JUMPER	
118	AW-20291	WIRE, INLET TO GROUND JUMPER, GREEN	
119	AW-20292	CABLE, MOTOR CONTROLLER	
120	AW-20442	WIRE, FILTER TO OUTLET JUMPER, BLACK	
121	AW-20443	WIRE, FILTER TO OUTLET JUMPER, WHITE	
122	AW-20444	WIRE, OUTLET, GROUND JUMPER, GREEN	
123	AW-20446	WIRE, INLET TO SWITCH JUMPER, BLACK	
124	AW-20447	WIRE, INLET TO SWITCH JUMPER, WHITE	
102	AX-20235	SUB ASSY, 110 VAC CONTROLLER	
102	AX-20236	SUB ASSY, 220 VAC CONTROLLER	
125	CN-20252	PLUG, NEMA 5-15R	
126	DE-20558	LABEL, HUB BOARD	
127	EC-18896	Filter, 16 Amp	
23	EH-10291	TY WRAP BASE	
128	EH-12208	INLET, IEC, 320 16-20 AMP	
76	EH-20244	CLIP, WIRE RETAINER, .24-.47"DIA	
130	FS-20232	BRACKET, POWER CORD RETAINER	
419	FS-20233	BRACKET, FAN POWER SUPPLY RETAINER	
409	FS-20300	STRAP, AV POWER SUPPLY	
131	HN-11925	Nut, Keps 10-32 Hex Stil Zinc	
132	HS-10405	SCREW, 4-40 X .25",PNHD PHIL	
39	HS-11977	Screw, SEMS, 8/32 x .38, PNHD	
134	HS-15732	Screw, SEM 8-32 unc x .62", PNHD phil pl	
324	HS-41187	SCREW, SLFTP, 8-16 X .3125", PLASTITE	
135	HW-10856	Washer, Lock, Ext., No.10, ZN	
136	RE-20242	RESISTOR, TM5, DYNAMIC BRAKE	

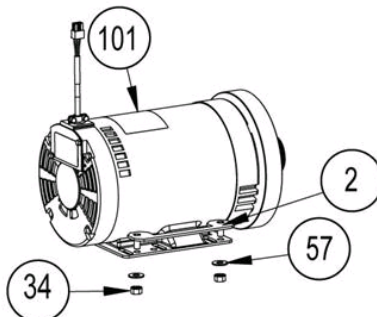
137	SW-19666	Switch, Rocker, Thermal CB, 15 A
137	SW-19667	Switch, Rocker, Thermal CB, 20 A
418	TR-21881	POWER SUPPLY,12V FAN LOCKING DC

©Copyright 1998 - 2009, Cybex International, Inc. All rights reserved.

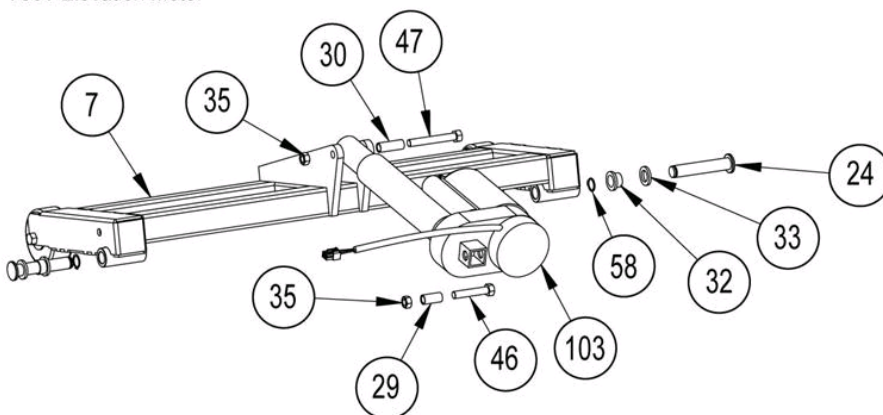


Product Line:   
 Product:   
 Assembly:  [\(Show All\)](#)

## 750T Drive Motor



## 750T Elevation Motor



Bulb Number	Part Number	Name	Description
2	AF-20052	BRACKET, MOTOR,MOUNTING	
101	AX-20045	ASSY, MOTOR, TREADMILL, AC DRIVE	
7	AX-20094	ASSY, ELEVATION	
24	FM-20096	PIN, ELEVATION PIVOT	
29	FT-16825	Sleeve, Elevation Mounting, Top	
30	FT-16826	Sleeve, Elevation Mounting, Bottom	
32	HB-20097	BEARING, FLANGE, BRONZE	
33	HB-20098	BEARING, THRUST, BRONZE	
34	HN-11136	KEPS, 5/16 - 18, HEX STL ZINC	
35	HN-17935	Nut, Lock, 3/8 - 24, GRD C, STL, ZN	
46	HS-17936	Bolt, 3/8 - 24 X 2.0", HXHD CAP, G8, YEL ZN	
47	HS-17937	Bolt, 3/8 - 24 X 2.75", HXHD CAP, G8, YEL ZN	
57	HW-53017	WASHER FLAT, 5/16", SS	
58	HX-13771	Ring, Retain 5/8", .579 Fr.Id	
103	MR-19992	MOTOR, ELEVATION, 115 VAC, 60 HZ	
103	MR-19993	MOTOR, ELEVATION, 230 VAC, 50-60 HZ	

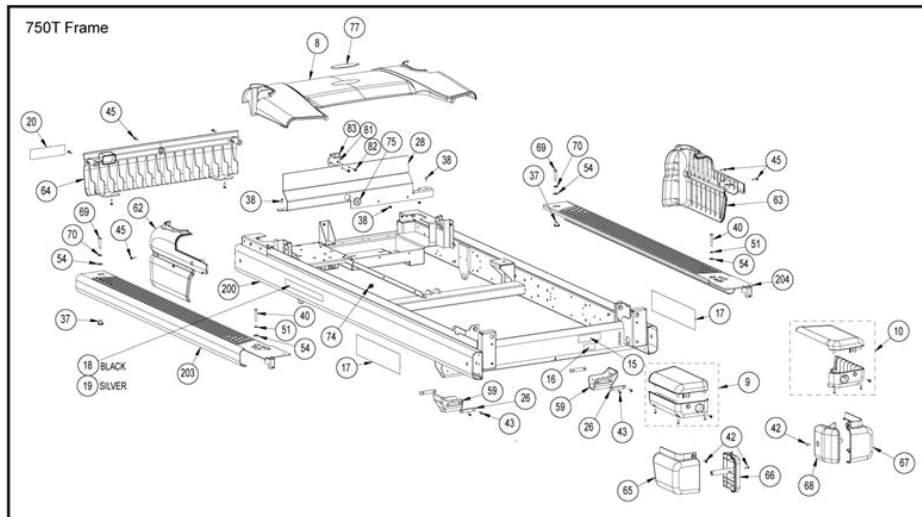




Product Line:

Product:

Assembly:  [\(Show All\)](#)



Bulb Number	Part Number	Name	Description
200	AF-19890	WELDMENT, FRAME	
81	AF-20842	BRACKET, MOTOR COVER	
203	AX-20331	ASSY, TOP PLATFORM, LEFT	
204	AX-20332	ASSY, TOP PLATFORM, RIGHT	
8	AX-20383	ASSY, MOTOR COVER	
9	AX-20452	ASSY, END CAP, LEFT	
10	AX-20453	ASSY, END CAP, RIGHT	
15	DE-14486	Decal, Serial Number	
16	DE-18413	Decal, ETL	
17	DE-19360	Decal, Side Labels, Black	
77	DE-19531	Decal, IS3	
18	DE-20392	DECAL, 750T, BLACK	
19	DE-20393	DECAL, 750T, SILVER	
20	DE-20427	Label, Disconnect Power, Multi-languages	
74	EH-20254	CLIP,WIRE RETAINER, .24-.47"DIA.,105THK	
26	FS-16511	Plate, Rear Rubber Foot Mount	
28	FS-20109	SHIELD, SPLASH	
37	HN-20693	NUT, TEE, 5/16 - 18, 1-2" BARREL	
38	HS-00700	SCREW, 8-32 X 0.50", PNHD PHIL	
82	HS-11976	SCREW, SEMS, 10-32 X .38	
40	HS-12295	BOLT, 1/4 - 20 X 1.75", HXHD, G5	
42	HS-15706	SCREW, 8-16X.50,PNHD	
43	HS-16509	Screw, #10 x .5LG, T-SPLT, PNHD, TYB-B	
45	HS-16939	Sems, 10-32 X .75, Pnhd, Ext., Black, Zn	
69	HS-41107	BOLT, 5-16-18X1.5,BTHD,SST,BLK	
70	HW-00165	Washer, Lock, Ext., 5/16, Zinc	
51	HW-00180	Washer, Lock Ext., 1/4, Zinc	
54	HW-18123	Washer, .344 I.D. x .75 O.D. x .125 Thick, Black Zinc	
59	HX-19102	Rubber Foot, Rear	
75	HX-20248	GROMMET,RUBBER,1.12"DIA	
83	HX-20843	BUMPER, MOTOR COVER	
62	PL-20262	COVER, LEFT SIDE FRONT	
63	PL-20263	COVER, RIGHT SIDE FRONT	
64	PL-20264	COVER, FRONT	
65	PL-20265	COVER, REAR, FRAME OUTER, LEFT	
66	PL-20266	COVER, REAR, FRAME INNER, LEFT	
67	PL-20269	COVER, REAR, FRAME OUTER, RIGHT	
68	PL-20270	COVER, REAR, FRAME INNER, RIGHT	



Login

Product Line:

Product:

Assembly:  [\(Show All\)](#)

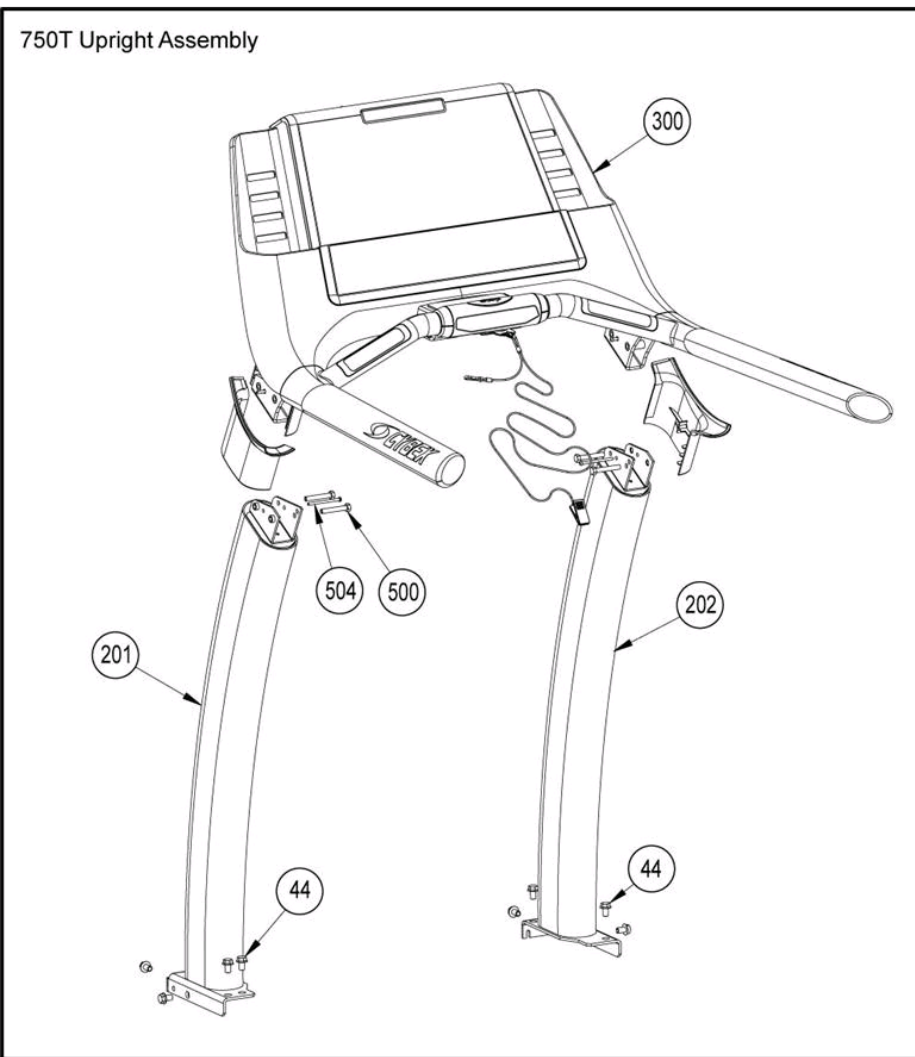
## Other Parts Not Shown

Bulb Number	Part Number	Name	Description
NS	AW-20280	POWER CORD, 115 VAC, 20A, 60HZ	
NS	AW-20281	POWER CORD, 220 VAC, 15A, 60HZ	
NS	AW-20282	POWER CORD, 230 VAC, 16A, 50HZ	
NS	AW-20283	POWER CORD, UK, 230 VAC, 13A, 50HZ	
NS	AW-22228	POWER CORD, DANISH, IEC 320, 13A, 50HZ	
NS	AW-21882	CABLE,ADAPTER,LOCKING DC 2.1MM	
NS	AX-20454	KIT, INSTALL HARDWARE	
NS	LT-03051	SIGN, FACILITY SAFETY	
NS	LT-20404	POSTER, INSTALL	
NS	LT-20405	WARRANTY SHEET	
NS	LT-20406-1	OWNER'S MANUAL, 750T/751T	GERMAN
NS	LT-20406-2	OWNER'S MANUAL, 750T/751T	FRENCH
NS	LT-20406-3	OWNER'S MANUAL, 750T/751T	SPANISH
NS	LT-20406-4	OWNER'S MANUAL, 750T/751T	ENGLISH
NS	LT-20406-6	OWNER'S MANUAL, 750T/751T	JAPANESE
NS	LT-20406-7	OWNER'S MANUAL, 750T/751T	SWEDISH
NS	LT-20406-8	OWNER'S MANUAL, 750T/751T	RUSSIAN
NS	TR-21265	POWER SUPPLY,12VDC,120-240VAC,6.0A W-LOCKING PLUG	

©Copyright 1998 - 2009, Cybex International, Inc. All rights reserved.



Product Line:   
 Product:   
 Assembly:  [\(Show All\)](#)



Bulb Number	Part Number	Name	Description
44	HS-16929	Screw, 3/8 - 16 x 5/8", Lg H x HD Whiz-lock, GR5	
201	AF-19921	WELDMENT, UPRIGHT, LEFT	
202	AF-19922	WELDMENT, UPRIGHT, RIGHT	
300	AC-21401-1	ASSY, CONSOLE, 751T, AMBER LED	GERMAN
300	AC-21401-2	ASSY, CONSOLE, 751T, AMBER LED	FRENCH
300	AC-21401-3	ASSY, CONSOLE, 751T, AMBER LED	SPANISH
300	AC-21401-4	ASSY, CONSOLE, 751T, AMBER LED	ENGLISH
300	AC-21401-6	ASSY, CONSOLE, 751T, AMBER LED	JAPANESE
300	AC-21401-7	ASSY, CONSOLE, 751T, AMBER LED	SWEDISH
300	AC-21401-8	ASSY, CONSOLE, 751T, AMBER LED	RUSSIAN
500	HS-00293	BOLT, 5/16 - 18 X 2.0, HXHD	
504	HS-20361	SCREW, SLFTP, 8-16 X 2.5, PLASTITE	